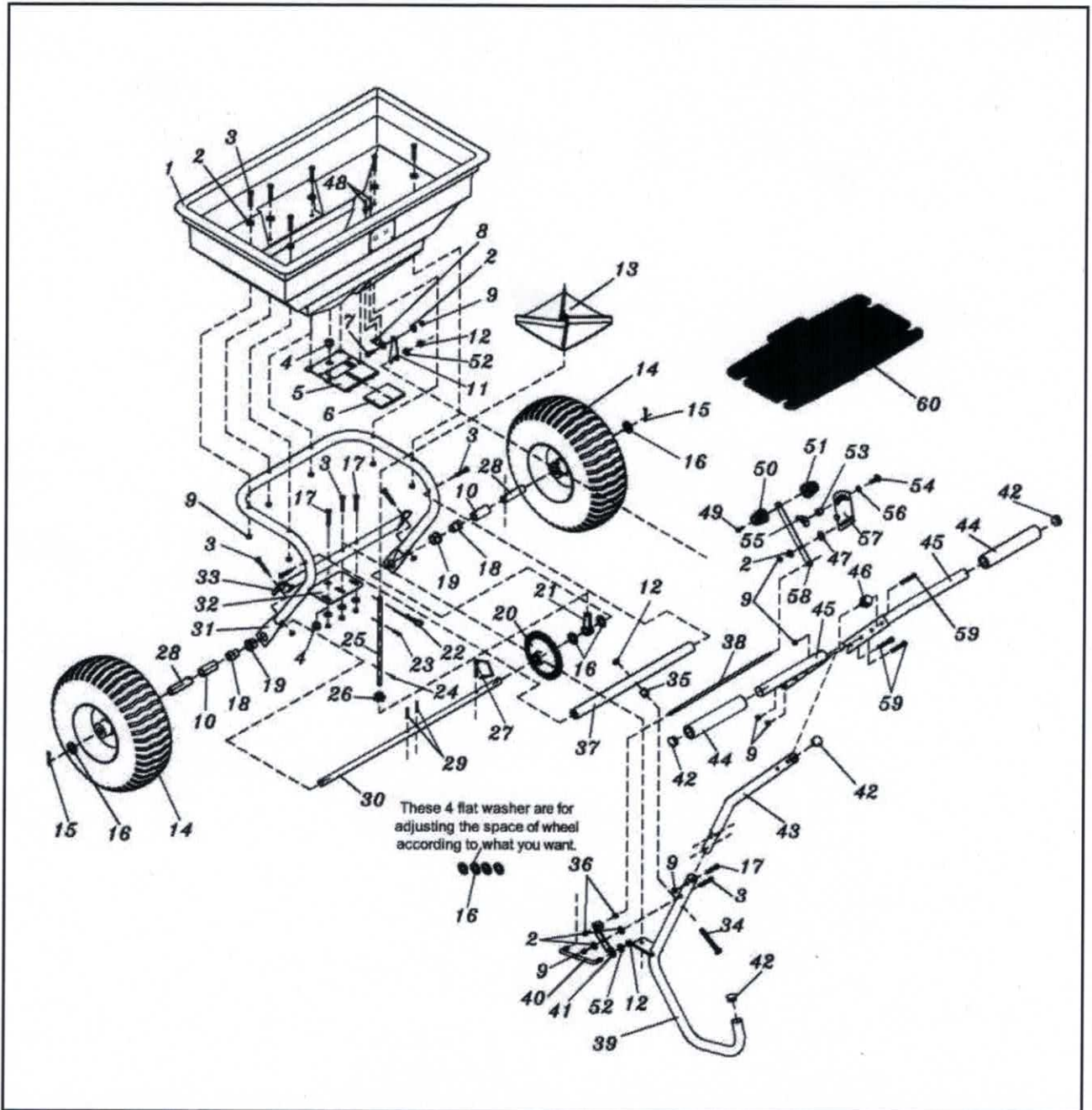


PARTS DRAWING



PARTS LIST

Ref#	Description	Qty	Ref#	Description	Qty
1	Hopper Assembly	1	32	Shaft Support Plate	1
2	Big Flat Washer Ø6	13	33	Crossover Tube	1
3	Hex Bolt M6x40	12	34	Hex Bolt M8x75	1
4	Bearing	2	35	Bushing	1
5	Fixed Adjustable Plate	1	36	Nut M6	2
6	Active Adjustable Plate	1	37	Fixed Crossover Tube	1
7	Hex Bolt M6x15	1	38	Adjust Rod	1
8	Base for spring	1	39	Support Tube	1
9	Lock Nut M6	17	40	Short Connect Rod	1
10	Axle Bushing	2	41	Adjusting Plate	1
11	Fixed Plate for Connecting Rod	1	42	Plastic Cap	4
12	Lock Nut M8	2	43	Connect Tube	1
13	Impeller	1	44	Handle Grip	2
14	Wheel	2	45	Handle Tube	2
15	Cotter Pin Ø5x35	2	46	Handle Connector plate	1
16	Flat Washer Ø16x1.5	8	47	Nylon Flat Washer	1
17	Hex Bolt M6x35	3	48	Rivet Ø5X8	2
18	Inner Axle Bushing	2	49	Screw Ø4x18	1
19	Outer Axle Bushing	2	50	Adjust Handle B	1
20	Gear (Driver)	1	51	Adjust Handle A	1
21	Shaft Support Cap	1	52	Flat Washer Ø8	2
22	R Pin Ø3	1	53	Space	1
23	Screw M4x20	1	54	Round –Head Hex Bolt M6x25	1
24	Spring Pin Ø3x15	1	55	Wing Nut	1
25	Swivel Axle	1	56	Linkage Ø8	1
26	Pinion Gear	1	57	Bracket	1
27	Drive Pin	1	58	Adjust Handle	1
28	Spacer	2	59	Hex Bolt M6x50	3
29	Spring Pin Ø4x30	2	60	Rain Cover	1
30	Wheel Axle	1	61	Hopper Screen	1
31	Frame Tube Assembly	1			