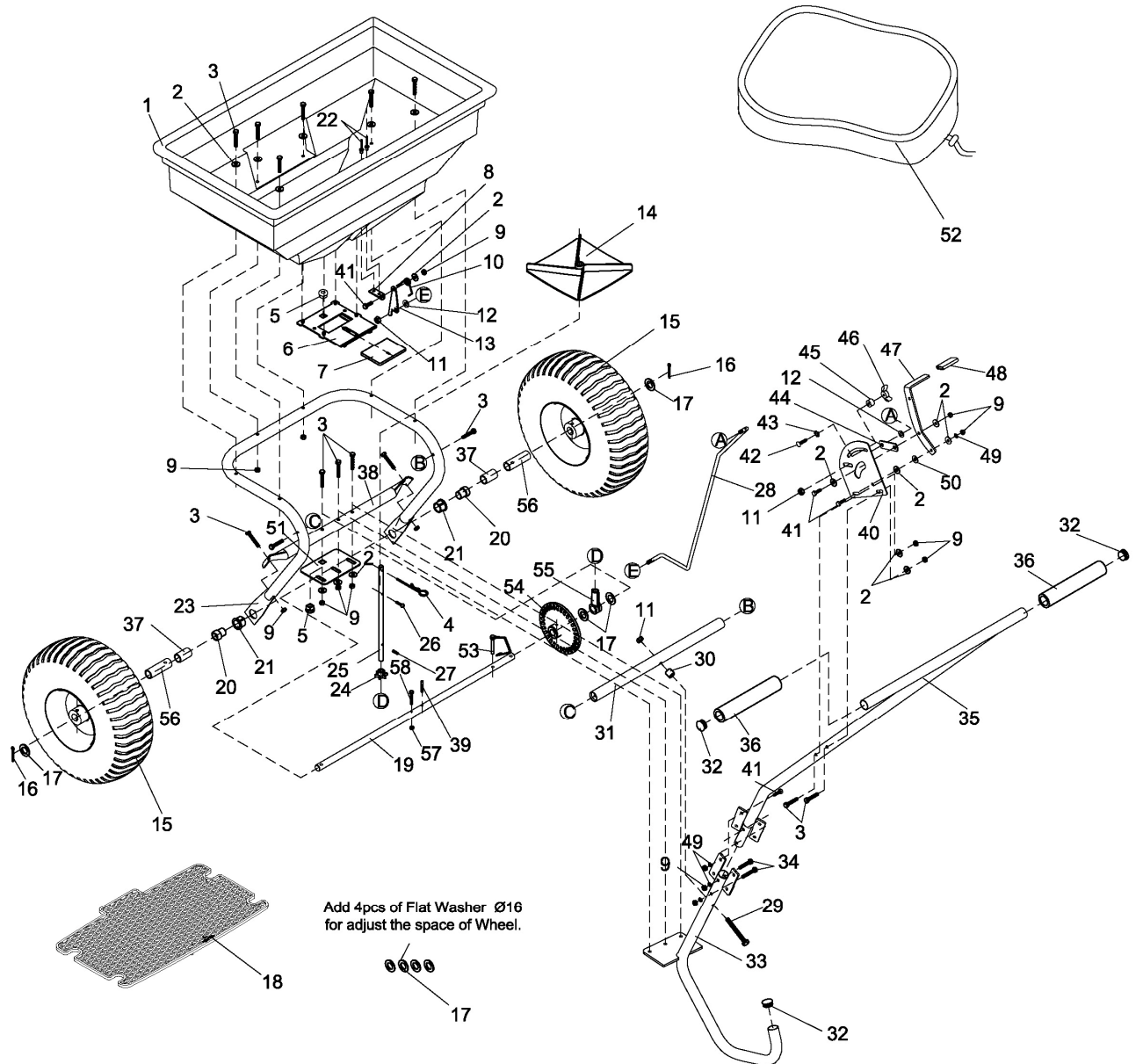


# Parts Drawing



## Parts List

Ref#	Description	Qty	Ref#	Description	Qty
1	Hopper	1	30	Spacer	1
2	Big Flat Washer Ø6	16	31	Fixed Crossover Tube	1
3	Hex Bolt M6x40	15	32	Plastic Cap	3
4	R Pin Ø3	1	33	Support Tube	1
5	Bearing	2	34	Hex Bolt M6x35	2
6	Fixed Adjustable Plate	1	35	Handle	1
7	Active Adjustable Plate	1	36	Handle Cover	2
8	Base for Spring	1	37	Axle Bushing	2
9	Hex Lock Nut M6	22	38	Crossover Tube	1
10	Spring	1	39	Spring Pin Ø4x30	1
11	Hex Lock Nut M8	3	40	Bracket	1
12	Flat Washer Ø8	2	41	Hex Bolt M6x20	7
13	Fixed Plate for Connecting Rod	1	42	Carriage Bolt M6x25	1
14	Impeller	1	43	Teeth Lock Washer Ø8	1
15	Wheel	2	44	Connecting Plate	1
16	Cotter Pin Ø5x35	2	45	Spacer	1
17	Flat Washer Ø16	8	46	Wing Nut M6	1
18	Screen	1	47	Adjusting Handle	1
19	Axle	1	48	Handle Cover	1
20	Inner Axle Bushing	2	49	Spring Washer Ø6	7
21	Outer Axle Bushing	2	50	Nylon Washer	1
22	Rivet Ø5x8	2	51	Shaft Support Plate	1
23	Frame Tube Assembly	1	52	Rain Cover	1
24	Pinion Gear	1	53	Drive Pin	1
25	Swivel Axle	1	54	Gear (Driver)	1
26	Screw M4x20	1	55	Shaft Support Cap	1
27	Spring Pin Ø3x16	1	56	Wheel Bushing	2
28	Solid Linkage	1	57	Hex Lock Nut M5	1
29	Hex Bolt M8x75	1	58	Hex Bolt M5x40	1